



力霸水泵機械工程有限公司
SUPERPOWER PUMPING ENGINEERING Co., LTD



ICV Valve Series



GATE VALVE



SILENT CHECK VALVE



BALL CHECK VALVE



SWING CHECK VALVE

40⁺
Anniversary

G/F., Times Tower, 928-930 Cheung Sha Wan Road, Kowloon, Hong Kong

Service Hotline: (852) 2746 4933

Tel: (852) 2745 3562 Fax: (852) 2786 2307 E-mail: info@sppump.com

Website: www.sppump.com



**Gate Valve
(Ductile Iron)**

PN16

02/20

DN: 50 - 300

Features :

- Design according to BS EN 1074 & BS EN 1171
- Face to face dimension to BS EN 558
- Flanges and drillings to BS EN 1092-2

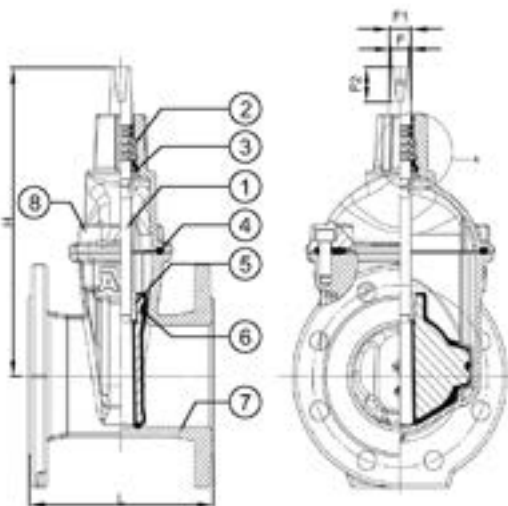
Test :

- Hydraulic test
- Seat : 1.1 x PN
- Body : 1.5 x PN

Optional extras :

- Hand wheel, extension spindle, stem cap, flange adaptor

Dimensions & Weights :



Size / PN16
GJS EN1074 **Production Code**

AVR
Lot No. Production Year **Lot No.**

Body Marking

Materials :

No	Parts	Material
1	Stem	Stainless steel 420 Grade 1.4021 to BS EN 10088
2	Thrust collar	Dezincification resistant brass Grade CW602N to BS EN 12164
3	Manchette	EPDM rubber
4	Bonnet gasket	EPDM rubber
5	Stem nut	Dezincification resistant brass Grade CW626N to BS EN 12164
6	Disc	Ductile iron Grade EN-GJS-500-7 to BS EN 1563 core fully encapsulated with EPDM rubber
7	Body	Ductile iron Grade EN-GJS-500-7 to BS EN 1563
8	Bonnet	Ductile iron Grade EN-GJS-500-7 to BS EN 1563

Ref. no.	DN	L	H	F	F1	F2	Weight (kg)
02-050-20-014649	50	178	208	14	17	29	10
02-065-20-014649	65	190	245	17	20	34	12
02-080-20-014649	80	203	282	17	20	34	15
02-100-20-014649	100	229	305	19	22	38	17
02-150-20-014649	150	267	401	19	22	38	32
02-200-20-014649	200	292	490	24	28	42	51
02-250-20-014649	250	330	619	27	30	40	82
02-300-20-014649	300	356	707	27	31	47	118



**Gate Valve
(Ductile Iron)**

PN16 02/21

DN: 50 - 300

Features :

- Design according to BS EN 1074 & BS EN 1171
- Face to face dimension to BS EN 558
- Flanges and drillings to BS EN 1092-2

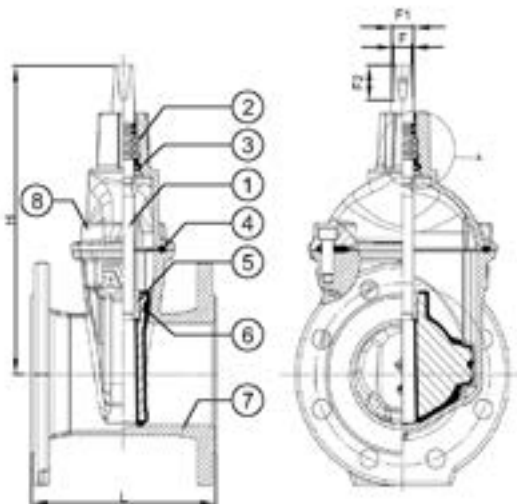
Test :

- Hydraulic test
- Seat : 1.1 x PN
- Body : 1.5 x PN

Optional extras :

- Hand wheel, extension spindle, stem cap, flange adaptor

Dimensions & Weights :



Size / PN16
GJS EN1074 **Production Code**

AVR
Lot No. Production Year **Lot No.**

Body Marking

Materials :

No	Parts	Material
1	Stem	Stainless steel 316L Grade 1.4404 to BS EN 10088
2	Thrust collar	Dezincification resistant brass Grade CW602N to BS EN 12164
3	Manchette	EPDM rubber
4	Bonnet gasket	EPDM rubber
5	Stem nut	Dezincification resistant brass Grade CW626N to BS EN 12164
6	Disc	Ductile iron Grade EN-GJS-500-7 to BS EN 1563 core fully encapsulated with EPDM rubber
7	Body	Ductile iron Grade EN-GJS-500-7 to BS EN 1563
8	Bonnet	Ductile iron Grade EN-GJS-500-7 to BS EN 1563

Ref. no.	DN	L	H	F	F1	F2	Weight (kg)
02-050-21-01464902	50	178	208	14	17	29	10
02-065-21-01464902	65	190	245	17	20	34	12
02-080-21-01464902	80	203	282	17	20	34	15
02-100-21-01464902	100	229	305	19	22	38	17
02-150-21-01464902	150	267	401	19	22	38	32
02-200-21-01464902	200	292	490	24	28	42	51
02-250-21-01464902	250	330	619	27	30	40	82
02-300-21-01464902	300	356	707	27	31	47	118



**Wafer Silent Check Valve
(Ductile Iron)**

PN16 903/02



Body Marking

DN: 50 - 150

Materials :

Features :

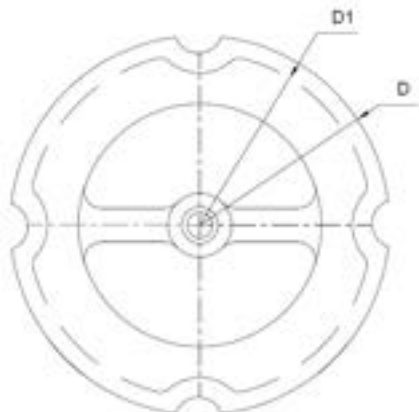
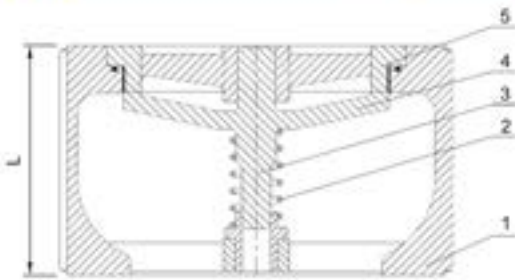
- Design according to BS EN 12334

Test :

- Hydraulic test
- Seat : 1.1 x PN
- Body : 1.5 x PN

No	Parts	Material
1	Body	Ductile iron Grade EN-GJS-500-7 to BS EN 1563
2	Spring	Stainless steel 316 Grade 1.4401 to BS EN 10088
3	Stem	Stainless steel 316 Grade 1.4401 to BS EN 10088
4	Disc	Stainless steel 316 Grade 1.4401 to BS EN 10088
5	Seat	Stainless steel 316 Grade 1.4401 to BS EN 10088

Dimensions & Weights :



Ref. no.	DN	L	D	D1	Weight (kg)
9030200501116	50	67	108	105	2.57
9030200651116	65	73	127	125	3.34
9030200801116	80	80	146	140	4.75
9030201001116	100	102	178	160	7.90
9030201501116	150	142	247	216	16.00

(Unit : mm)



Swing Check Valve (Ductile Iron)

PN16 41/21

DN: 65 - 150

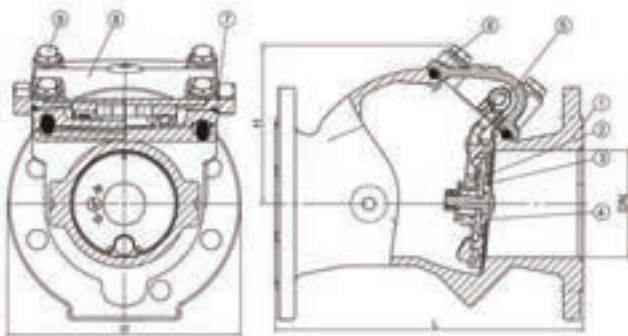
Features :

- Design according to BS EN 1074 part 3
- Face to face dimension to EN 558
- Standard flange drilling to BS EN 1092-2
- For water to max. 70°C

Test :

- Hydraulic test :
- Seat : 1.1 x PN
- Body : 1.5 x PN

Dimensions & Weights :



Materials :

No	Parts Name	Material
1	Body	Ductile iron, EN-GJS-500-7
2	Washer	Stainless steel
3	Nut	Stainless steel
4	Disc	Carbon Steel with EPDM coating
5	Hinge	Stainless steel 316
6	Bonnet gasket	EPDM
7	O-ring	EPDM
8	Bonnet	Ductile iron, EN-GJS-500-7
9	Bolt	Stainless steel

Ref. no.	DN	L	H	W	Weight (kg)
41-065-21-018	65	240	140	190	17
41-080-21-018	80	241	140	200	20
41-100-21-018	100	292	150	220	26
41-150-21-018	150	356	195	285	51

(Unit : mm)



Ball Check Valve (Ductile Iron)

PN10/ PN16 53/35

DN: 50 - 600

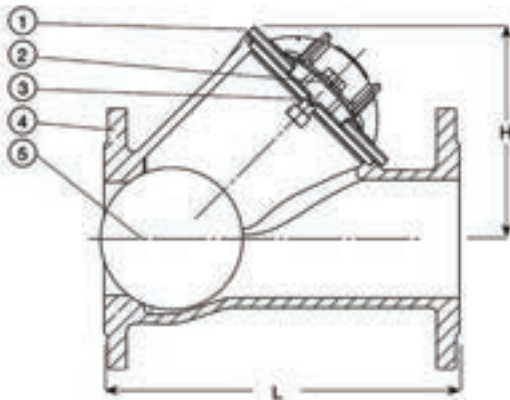
Features :

- Design according to EN 12050 - 4
- Face to face according to DIN 3202 - F6
- Flanges and drillings to EN 1092-2
- Use for water to max. 70°C

Test :

- Hydraulic test
- Seat : 1.1 x PN
- Body : 1.5 x PN

Dimensions & Weights :



Component List :

- | | |
|----------|--------|
| 1 Cover | 2 Bolt |
| 3 Gasket | 4 Body |
| 5 Ball | |



Materials :

- Body : Ductile iron, EN-GJS-500-7
- Cover : Ductile iron, EN-GJS-500-7
- Ball : Aluminium DN50-100
Ductile iron DN125-500
vulcanized with NBR rubber
PUR DN600
- Bolt : Stainless steel
- Coating : Epoxy coating RAL7011

Ref. no.	DN	L	H	Weight (kg)
53-050-35-X007	50	200	101	7.5
53-065-35-X007	65	230	148	12
53-080-35-X007	80	260	148	13
53-100-35-X007	100	300	182	18
53-125-35-X007	125	350	251	35
53-150-35-X007	150	400	251	37
53-200-35-0007	200	500	333	68
53-250-35-X007	250	600	406	112
53-300-35-X007	300	700	480	163
53-350-35-0007	350	800	571	289
53-400-35-0007	400	900	657	416
53-500-35-0007	500	1100	930	712
53-600-35-0207	600	1300	1010	1200

X = 0, PN 10 ; X = 1, PN 16

(Unit : mm)

NOTE



SPV SERIES



SPLV SERIES



SUBMERSIBLE PUMP SERIES



SPE, SPI, SPS SERIES



SUPERPOWER PUMPING ENGINEERING CO., LTD

G/F., Times Tower, 928-930 Cheung Sha Wan Road, Kowloon, Hong Kong

Sales Hotline: (852) 2746 4933

Fax: (852) 2786 2307

Website: www.sppump.com

Email: info@sppump.com



ISO 9001



ISO 45001



OHSAS 18001



WASTEWISE



CARING COMPANY

While the production techniques continue to improve, designs and materials used for the products may thus be varied from time to time. No further notice will be provided.

Rev. 05/2022