



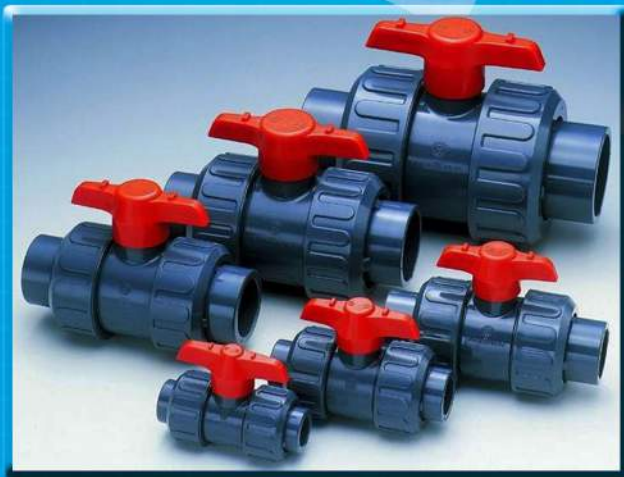
力霸水泵機械工程有限公司
SUPERPOWER PUMPING ENGINEERING CO., LTD

38th
Anniversary

ASAHI AV

(Japan)

Asahi Valve And Piping Systems



力霸水泵機械工程有限公司
SUPERPOWER PUMPING ENGINEERING CO., LTD.

G/F., Times Tower, 928-930 Cheung Sha Wan Road, Kowloon, Hong Kong
Tel: 2746 4933 Fax: 2786 2307 Email: info@sppump.com

Service Hotline: 2746 4933
Website: www.sppump.com



ISO 9001



ISO 14001



OHSAS 18001



True Union Ball Valve

Model : Type 21●21A

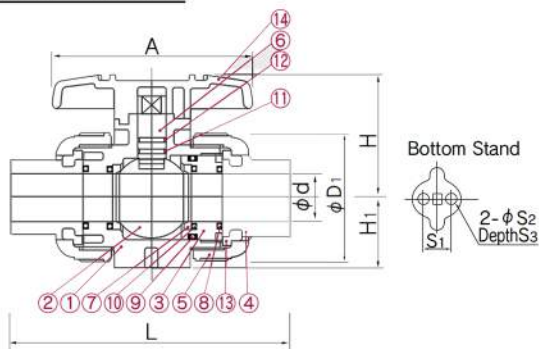
Size: 15mm - 150mm

Features

- Pressure rated up to 230 psi (PVC, CPVC, PVDF)
- Double O-ring seals on stem for an added protection
- Full bore, sizes 1/2"-2"; Full vacuum rated, all sizes
- Blocks in two directions, upstream and downstream, leaving full pressure on the opposite end of the valve
- Integrally molded ISO mounting pad for both manual and actuated operations
- Integrally molded base pad to mount valves securely or panel mounting
- PTFE seats with elastomeric backing cushions ensure bubble-tight shut-off and a low fixed torque, while at the same time compensating for wear
- True Union design for easier installation or repairs without expanding the pipe system
- Built-in spanner wrench on the handle for valve disassembly and assembly
- Two sets of end connectors (socket and threaded) included with all PVC and CPVC valves in sizes 1/2" - 2"
- CPVC threaded end connectors on sizes 1/2"-1" come with stainless steel reinforcing rings
- NSF-61 Certified - Size: 1/2"-4", Material: PVC, EPDM, FKM

Dimensions

15mm - 50mm



Nominal Size	Unit: mm									
	d	D ₁	H	H ₁	A	L	S ₁	S ₂	S ₃	
15mm	15	48	51.5	29	92	108	19	7.3	11	
20mm	20	60	59.5	35	100	128	19	7.3	11	
25mm	25	70	68	39	110	145	19	7.3	11	
32mm	32	82	80.5	47	121	162	30	9	15	
40mm	40	100	89	55	131	189	30	9	15	
50mm	51	126	102.5	66	159	220	30	9	15	



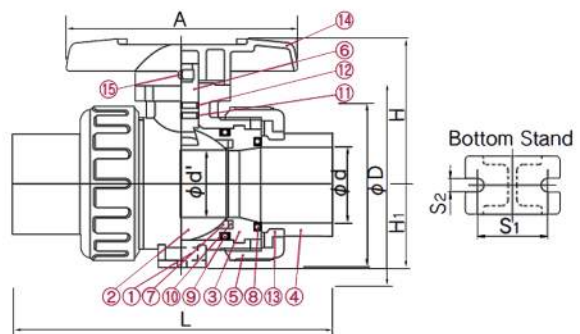
Description

Ball valves perform a quarter turn on/off or modulating function. A flow-controlling ball located within the body of the valve contains a hole through its center along one axis, which connects the inlet and outlet ports of the body.

Parts Materials

- | | |
|------------------|---|
| 1. Body | : PVC, CPVC, PP, PVDF |
| 2. Ball | : PVC, CPVC, PP, PVDF |
| 3. Carrier | : PVC, CPVC, PP, PVDF |
| 4. End Connector | : PVC, CPVC, PP, PVDF |
| 5. Union Nut | : PVC, CPVC, PP, PVDF |
| 6. Stem | : PVC, CPVC, PP, PVDF |
| 7. Seat | : PTFE |
| 8. O-Ring (A) | : EPDM, FKM, Others |
| 9. O-Ring (B) | : EPDM, FKM, Others |
| 10. O-Ring (C) | : EPDM, FKM, Others |
| 10. Cushion | : EPDM, FKM, Others |
| 11. O-Ring (D) | : EPDM, FKM, Others |
| 12. O-Ring (E) | : EPDM, FKM, Others |
| 13. Stop Ring | : PVDF |
| 14. Handle | : ABS |
| 15. Screw | : Stainless Steel #304
(for 2-1/2" - 6") |

65mm - 100mm



Nominal Size	Unit: mm									
	d	d'	D	H	H ₁	A	L	S ₁	S ₂	
65mm	65	58	133	126	72	200	273	48	9	
80mm	78	68.5	152	140	85	240	316	55	11	
100mm	100	90	210	178	110	300	419	65	11	

* 6" end connections available for 4" valve bodies

Omni Compact Ball Valve

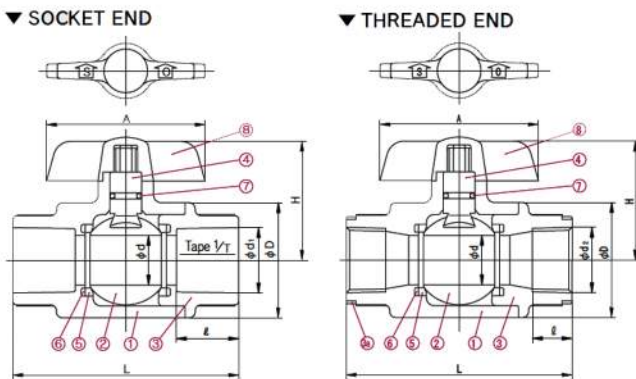
Size: 13mm - 80mm



Features

- Blocks in two directions
- Rugged structure
- Unibody construction
- Compact, low profile, short face-to-face dimensions
- PTFE seat backed by EPDM for low stem torque
- Rated for full vacuum service
- NSF-61 Certified - Size: 3/8" - 3", Material: PVC, EPDM

Dimensions



Nominal Size	d	Socket End				Threaded End				Unit: mm	
		d ₁	l	1/T	L	d ₁	l	L	D	H	A
13mm	13	18.20	17	1/30	67	Rc 1/2	15	67	35	42	60
15mm	15	22.20	21	1/34	79	-	-	-	39	44	70
20mm	20	26.25	28	1/34	102	Rc 3/4	17	102	48	55	80
25mm	25	32.30	31.5	1/34	114	Rc 1	20	114	58	60	80
32mm	31	38.28	33	1/34	127	Rc 1-1/4	22	127	66	70	95
40mm	35	48.43	42	1/37	152	Rc 1-1/2	25	152	72.5	76	110
50mm	45	60.50	49	1/37	176	Rc 2	28	176	88.5	85	110
80mm	68.5	89.60	64	1/49	236	Rc 3	35	236	130	124	200

Description

Ball valves perform a quarter turn on/off or modulating function. A flow-controlling ball located within the body of the valve contains a hole through its center along one axis, which connects the inlet and outlet ports of the body. The ball itself is held in place by, and rotates 90° within, PTFE seats. These provide permanent lubrication and keep the valve "bubble-tight." They are backed by elastomeric cushions, which provide pressure against the ball and at the same time compensate for wear. Elastomer O-rings are used for stem and carrier seals to prevent leakage to the atmosphere. In the open position, the flow is straight through with minimal pressure drop as long as the porting through the ball is the same size as the inside diameter of the pipe.

Parts Materials

- 1. Body : PVC, CPVC
- 2. Ball : PVC, CPVC
- 3. End Connector : PVC, CPVC
- 4. Stem : PVC, CPVC
- 5. Seat : PTFE
- 6. Cushion : EPDM, FKM
- 7. O-Ring : EPDM, FKM
- 8. Handle : ABS



Y-Sediment Strainer

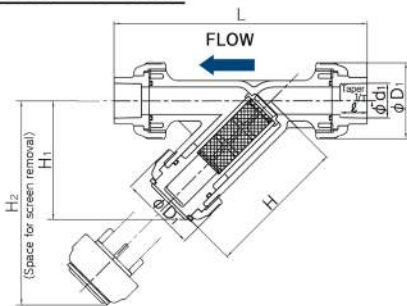
Size: 15mm - 100mm

Features

- True Union design facilitates installation or repair without expanding the pipeline
- Large filtration capacities and low pressure drops
- Transparent PVC strainer body permits easy evaluation of filter screen's condition
- Complete thermoplastic construction
- Pressure rating: 1/2" – 2", 150 psi; 3" and 4", 85 psi
- Sizes 1/2" – 2" supplied with two sets of end connectors (socket and threaded)
- NSF-61 Certified - Size: 1/2"-4", Material:PVC,EPDM,FKM

Dimensions

65mm - 100mm



Nominal Size	Unit: mm								
	d	d ₁	l	1/T	D ₁	L	H	H ₁	H ₂
15mm	15	22.11	20	1/34	48	172	97	78	134
20mm	20	26.13	24	1/34	60	210	120	98	168
25mm	25	32.16	27	1/34	70	238	133	111	189
40mm	40	48.21	37	1/37	100	313	177	149	256
50mm	51	60.25	42	1/37	106	346	190	160	277
80mm	78	89.60	64	1/49	152	487	271	234	399
100mm	100	114.70	84	1/56	210	653	361	316	537



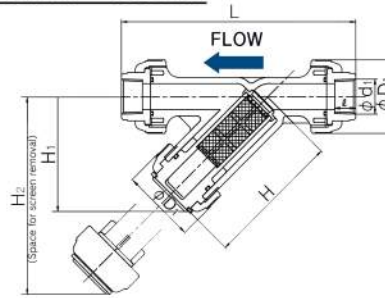
Description

Sediment strainers protect pipeline components such as pumps and meters by removing suspended solids and impurities. Transparent thermoplastic construction permits easy detection of the screen's condition. Also available with an in-line clean out valve to flush accumulated solids out of the strainer port.

Parts Materials

1. Body : PVC
2. Filter Screen : PVC
3. Screen Support : PVC
4. End Connector : PVC
5. Union Nut : PVC
6. Retaining Ring : PVC
7. Split Ring : PVC
8. O-Ring (A) : EPDM, FKM, Others
9. O-Ring (B) : EPDM, FKM, Others

65mm - 100mm



Nominal Size	Unit: mm							
	d	d ₁	l	D ₁	L	H	H ₁	H ₂
15mm	15	Rc 1/2	15	48	165	97	78	134
20mm	20	Rc 3/4	17	60	202	120	98	168
25mm	25	Rc 1	20	70	224	133	111	189
40mm	40	Rc 1-1/2	25	100	287	177	149	256
50mm	51	Rc 2	28	106	324	190	160	277
80mm	78	Rc 3	35	152	436	271	234	399
100mm	100	Rc 4	45	210	596	361	316	537



SUPERPOWER PUMPING ENGINEERING CO., LTD

G/F., Times Tower, 928-930 Cheung Sha Wan Road, Kowloon, Hong Kong
 Service Hotline: (852) 2746 4933 Fax: (852) 2786 2307
 Website: www.sppump.com Email: info@sppump.com

While the production techniques continue to improve, designs and materials used for the products may thus be varied from time to time. No further notice will be provided.

